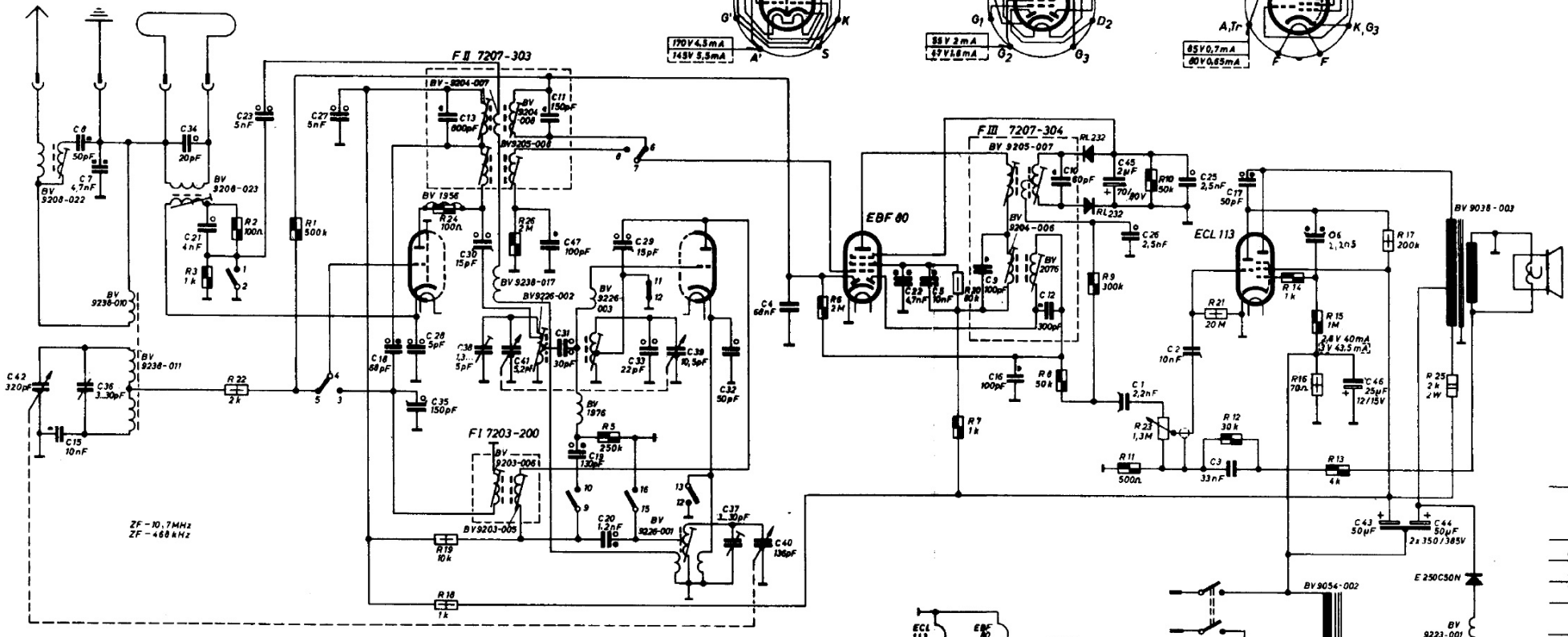
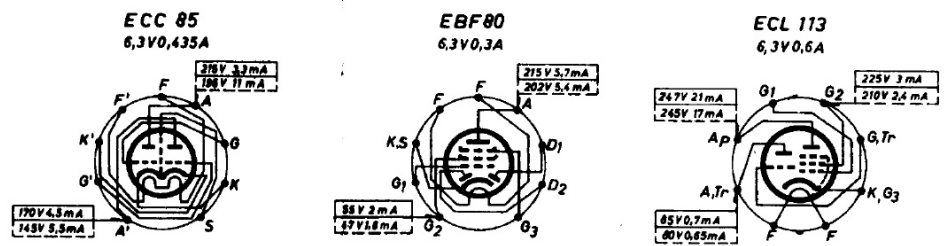
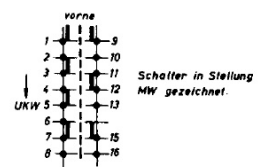


GRUNDIG WERKE GMBH FÜRTH (BAY.)

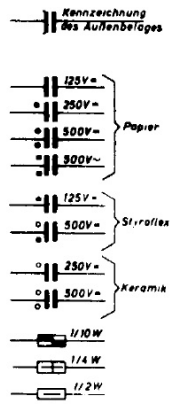
Schaltplan „AM-FM-Super 80 U“



ZF - 10,7 MHz
ZF - 468 kHz



Spannungen mit Grundig
Röhrevoltmeter bei 220V~
gegen Masse gemessen.
Mittelwerte gelten für MW/UKW
ohne Antennensignal.
Änderungen vorbehalten.



G Nr.a 854

C:	42, 15, 6, 7, 36,	34, 21,	23,	27,	18, 28, 35, 13, 41, 30, 38,	11, 47, 31, 18, 20, 29, 33, 39,	32, 37, 40,	4,	22, 5,	9, 16, 24	12, 10, 45, 26, 1,	25, 2, 3, 17,	6,	46, 43,	44,
R:	3, 2, 22,	1,	18, 19, 24,	26,	5,	6,	20, 7,	8, 9, 11, 10, 23,	21, 12,	14, 15, 16, 13,	17,	25,			

GRUNDIG (Radio Werke GmbH. - Mod. AM/FM 80 U. Apparechio a modulazione di ampiezza e di frequenza a tre sole valvole, due cristalli a germanio per la rivelazione FM e un rettificatore a selenio. Onde medie e ultracorte. MF/AM a 468 kc/s e MF/FM a 10,7 Mc/s. Antenna interna in ferrite.